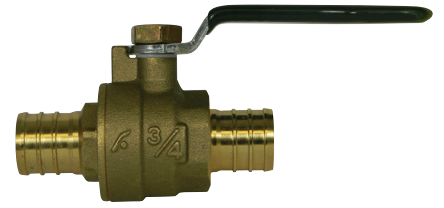


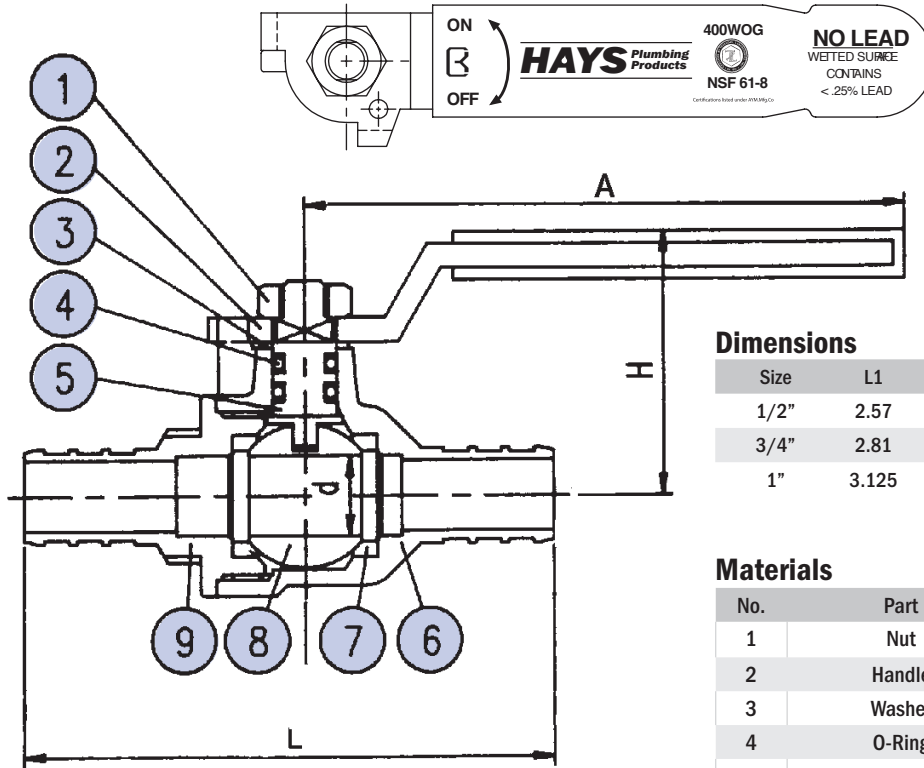
# SUBMITTAL DATA SHEET

No-Lead Pex Ball Valves - Standard Port  
Pex Ball Valve - Heavy Duty - 72030P

F1807 PEX x F1807 PEX



Hays Plumbing No-Lead Standard Port Ball Valves are constructed from heavy duty no-lead brass and can be used with potable water in commercial, industrial, and residential applications. This is a standard port valve with excellent flow characteristics.



## Dimensions

Size	L1	H	d	A	Part Number
1/2"	2.57	1.29	.39	2.93	CB5421-147
3/4"	2.81	1.40	.59	2.93	CB5421-148
1"	3.125	1.625	.89	4.25	CB5421-311

## Materials

No.	Part	Material
1	Nut	Steel
2	Handle	Steel
3	Washer	Teflon
4	O-Ring	Rubber
5	Stem	No-Lead Brass
6	Body	No-Lead Brass
7	Ball Disc Packing	Teflon
8	Ball Disc	No-Lead Brass
9	End Plug	No-Lead Brass

## SUBMITTAL INFORMATION

- 400 WOG
- ANSI / NSF 61-8, Annex F & G
- Sizes: 1/2", 3/4", & 1"
- Complies with NSF/ANSI 372-2010

**NO-LEAD:** The weighted average of the wetted surface of this no-lead product contacted by consumable water contains less than one quarter of one percent (0.25%) lead.



**Cambridge Brass**  
P.O. Box 249, 140 Orion Place  
Cambridge, Ontario N1R 5V1

**Toll Free:** 1-800-265-6638  
**Phone:** 519-621-5520  
**Fax:** 1-800-832-9296

info@cambridgebrass.com  
www.cambridgebrass.com



Cambridge Brass considers the information on this assembly drawing correct when published. Item and option availability, including specifications, are subject to change without notice. Certifications listed through ALS-Truesdail Laboratories

Submitted by: